

QUICKWRAP™

H-50 HORIZONTAL WRAPPING SYSTEM



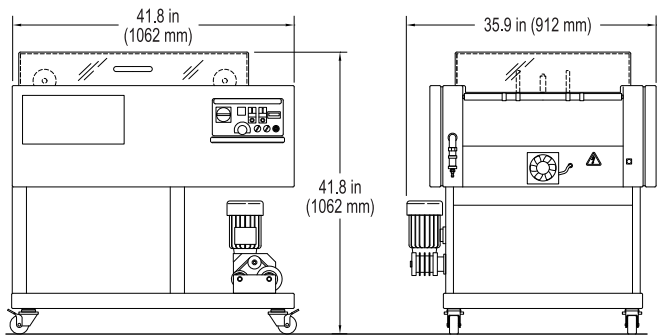
H-50-1

H-50-4

TECHNICAL DATA

Maximum Product Size:	9 W x 12.5 L in (228 x 317 mm)
Minimum Product Size:	6.5 W x 9.5 L in (165 x 241 mm)
Min/Max Product Thickness:	.003-.590 in (.076-14.9 mm)
Maximum Cycle Speed:	50 ppm
Electrical Requirements:	220vac, 10A
Air Requirements:	4-6 CFM
FILM SPECIFICATIONS:	
Film Type:	Low and high density polyethylene
Film Thickness:	.70 mil - 1.25 mil
Maximum Roll Diameter:	11 in (279.4 mm)
Maximum Roll Weight:	55 lbs (24.9 kg)
Maximum Roll Width:	21 in (533.4 mm)
Film Width Calculation:	Product Width X 2 + Product Thickness X 2 + 2 in. = Roll Width Required

DIMENSIONS



H-50-4 overall length: 156.9 in (3985 mm)

Polybag Wrapper

OVERVIEW

QuickWrap is the ideal solution for wrapping magazines, mailing publications, brochures, catalogs, books, product literature, annual reports and more. QuickWrap generates increased margins and fast return on investment, especially when small jobs are not cost effective to run on large wrapping, bagging, or inserting systems. The compact, modular QuickWrap can be manually fed or automated with 1 to 4 Streamfeeder feeders/dispensers.

FEATURES

ADVANTAGES

BENEFITS

Low cost of entry	Priced as low as or lower than other systems with fewer features.	Produce short to medium runs profitably.
Modular Design	Available in a number of configurations: from stand-alone hand fed unit to complete automated system with multiple feeders and conveyor.	Versatile, low cost wrapping solutions.
Portable	Mounted on casters, moves freely. Easily and quickly disconnects from collator base.	Configure system to produce largest variety of products.
Compact footprint	Does not require a large amount of floor space.	Can easily fit into existing compact work spaces.
Simple operation	Quick setup with minimal adjustments. Easy to operate.	Fast make-ready increases productivity. Makes short-run jobs profitable.
Adjustable Forming Plovs	Adjusts to fit width and height of package.	Produce tight attractive bags regardless of package size.
Print registration option	Feed and register preprinted poly materials.	Bid wider spectrum of jobs such as high-end direct mail and security mailings.
Production speed	Produce up to 3000 packages per hour.	Produce same amount as semi-automatic wrappers.



103 Osborne Road • Minneapolis, MN 55432-3131 • USA

t 763.502.0000 • f 763.502.0100 • www.streamfeeder.com • E-mail: sales@streamfeeder.com

We Have Your Solution.™